




YORPOWER

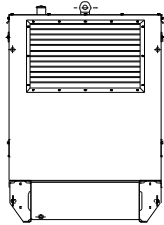
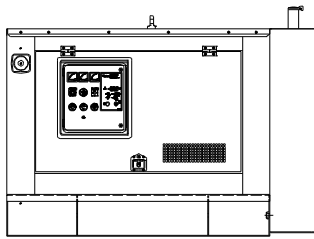
RATING	MODEL	ENGINE
60kVA Canopied Set	YZC60RSC	

GENERAL OUTPUT RATINGS	
YZC60 Prime	60kVA, 48kW
YZC66 Standby	66kVA, 52kW
ENGINE	CUMMINS
ALTERNATOR	Newage Stamford



TECHNICAL DATA			
Engine Model	Cummins		YXP60
Cylinders	4	Fuel Cons: 100% Load l/hr	13.1
Cubic Capacity	3.9 Litres	Fuel Cons: 75% Load l/hr	9.8
Aspiration	Natural	Cooling Air Flow : m ³ /min	NA
Engine Speed (RPM)	1500	Exhaust Gas Flow : m ³ /hour	598
Fuel Tank Capacity	180 Litres	Exhaust Gas Temp : °C	475
DBA @ 7M	67.8	DBA @ 1M	81.0

These ratings are suitable for Prime Continuous power output at varying load with no limitation on annual hours of operation.
The Generator will supply 10% overload for 1 in 12 hours.

GENERAL ARRANGEMENT	
	

DIMENSIONS AND WEIGHTS			
Length mm	Width mm	Height Mm	Weight Kg
2338	1080	1561	1406

We reserve the right to amend specifications without notice. All ratings are at standard ISO conditions

Registered Office:
Yorpower Limited
Unit 2, Hurricane Close
Sherburn In Elmet
LS25 6PB
UNITED KINGDOM



Certificate No: 1152

T: +44 (0) 1977 688155
F: +44 (0) 1977 688158
E: sales@yorpower.com
W: www.yorpower.com