



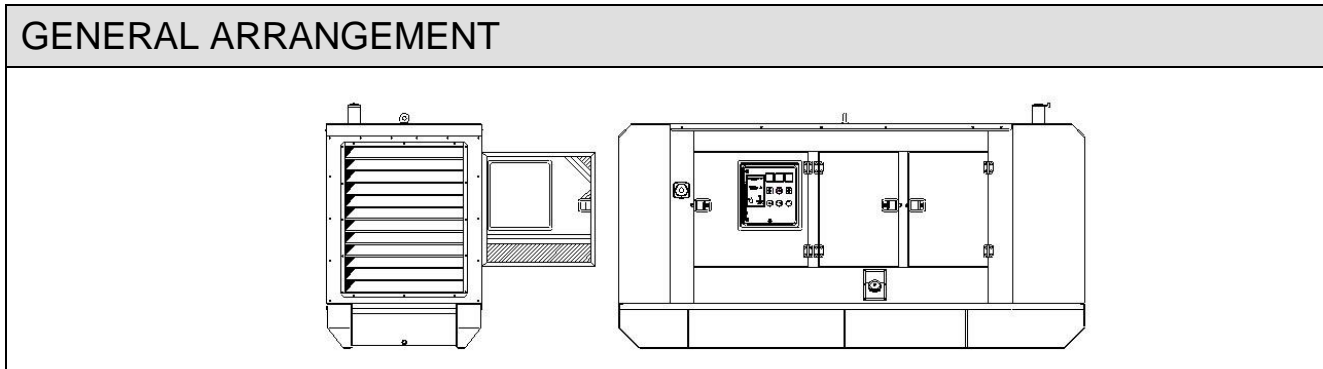
**YORPOWER**

<b>130kVA Canopied Set</b>	<b>YZC130RSC</b>	
----------------------------	------------------	--

GENERAL	
<b>OUTPUT RATINGS 50Hz, 415V</b>	
YZC130 Prime	<b>130kVA, 104kW</b>
YZC143 Standby	<b>143kVA, 114kW</b>
<b>ENGINE</b>	<b>CUMMINS 6BTAA5.9G</b>
<b>ALTERNATOR</b>	<b>Newage Stamford</b>



TECHNICAL DATA			
Engine Model	6BTAA5.9G		YZC130
Cylinders	6	Fuel Cons: 100% Load l/hr	30
Cubic Capacity	5.9 Litres	Fuel Cons: 75% Load l/hr	23
Aspiration	Natural	Cooling Air Flow : m <sup>3</sup> /min	NA
Engine Speed (RPM)	1500	Exhaust Gas Flow : m <sup>3</sup> /hour	598
Fuel Tank Capacity	317 Litres	Exhaust Gas Temp : °C	475



DIMENSIONS AND WEIGHTS			
Length mm	Width mm	Height Mm	Weight Kg
3592	1300	1924	2466

We reserve the right to amend specifications without notice. All ratings are at standard ISO conditions.

Registered Office:  
Yorpower Limited  
Unit 2, Hurricane Close  
Sherburn In Elmet  
LS25 6PB  
UNITED KINGDOM



**T: +44 (0) 1977 688155**  
**F: +44 (0) 1977 688158**  
E: sales@yorpower.com  
W: www.yorpower.com